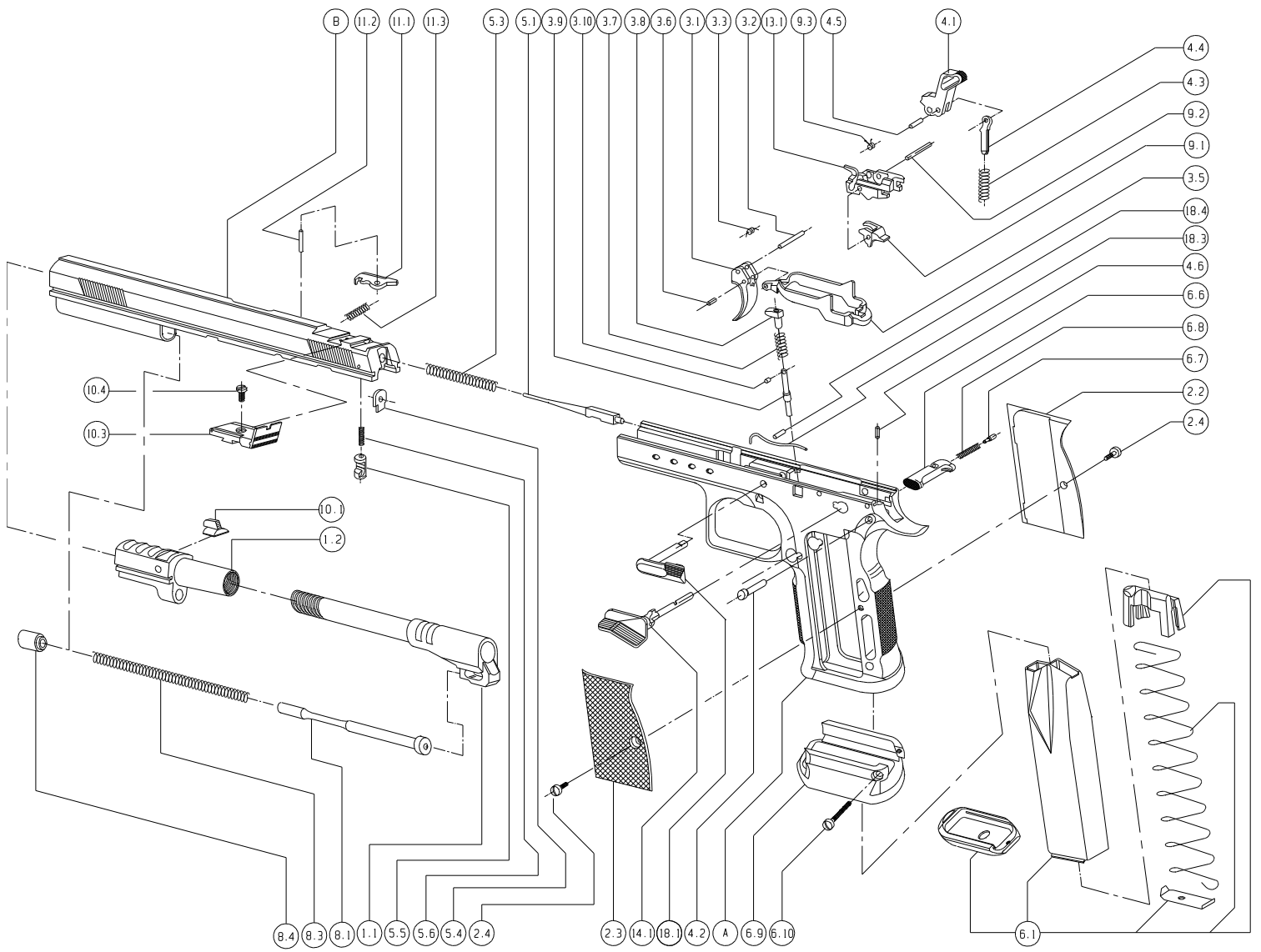


### LISTA DELLE PARTI

- |                                 |                                 |
|---------------------------------|---------------------------------|
| 1.1 - CANNA                     | 5.3 - MOLLA                     |
| 1.2 - COMPENSATORE              | 5.4 - PIASTRINA                 |
| 2.2 - GUANCINA DESTRA           | 5.5 - SICURA AUTOMATICA         |
| 2.3 - GUANCINA SINISTRA         | 5.6 - MOLLA SICURA AUTOMATICA   |
| 2.4 - VITI GUANCINA             | 6.1 - CARICATORE                |
| 3.1 - GRILLETTO                 | 6.6 - GANCIO                    |
| 3.2 - SPINA                     | 6.7 - GUIDA MOLLA GANCIO        |
| 3.3 - MOLLA                     | 6.8 - MOLLA GANCIO              |
| 3.5 - LEVA GRILLETTO            | 6.9 - MINIGONNA                 |
| 3.6 - SPINA LEVA                | 6.10 - VITE MINIGONNA           |
| 3.7 - MOLLA LEVA                | 8.1 - GUIDAMOLLA RECUPERO       |
| 3.8 - BLOCCETTO LEVA GRILLETTO  | 8.3 - MOLLA RECUPERO            |
| 3.9 - GUIDAMOLLA LEVA GRILLETTO | 8.4 - BUSSOLA                   |
| 3.10 - SPINA GUIDAMOLLA         | 9.1 - LEVA SCATTO               |
| 4.1 - CANE                      | 9.2 - SPINA                     |
| 4.2 - SPINA                     | 9.3 - MOLLA                     |
| 4.3 - MOLLA                     | 10.1 - MIRINO                   |
| 4.4 - GUIDAMOLLA                | 10.2 - VITE MIRINO              |
| 4.5 - SPINA GUIDAMOLLA          | 10.3 - TACCA DI MIRA REGOLABILE |
| 4.6 - SPINA FERMO SPINA CANE    | 10.4 - VITE TACCA DI MIRA       |
| 5.1 - PERCUSSORE                | 11.1 - ESTRATTORE               |
|                                 | 11.2 - SPINA                    |
|                                 | 11.3 - MOLLA                    |
|                                 | 13.1 - BLOCCO ESPULSORE         |
|                                 | 14.1 - SICURA LEVA SCATTO       |
|                                 | 18.1 - LEVA SMONTAGGIO          |
|                                 | 18.3 - MOLLA LEVA               |
|                                 | 18.4 - SPINA MOLLA LEVA         |
|                                 | A - FUSTO                       |
|                                 | B - OTTURATORE                  |



### PARTS LIST

- |                                |                                    |
|--------------------------------|------------------------------------|
| 1.1 - BARREL                   | 5.3 - FIRING PIN SPRING            |
| 1.2 - COMPENSATOR              | 5.4 - FIRING PIN RETAINER          |
| 2.2 - RIGHT GRIP               | 5.5 - FIRING PIN SAFETY            |
| 2.3 - LEFT GRIP                | 5.6 - FIRING PIN SAFETY SPRING     |
| 2.4 - GRIP SCREWS              | 6.1 - MAGAZINE                     |
| 3.1 - TRIGGER                  | 6.6 - MAGAZINE CATCH               |
| 3.2 - TRIGGER PIN              | 6.7 - MAGAZINE CATCH PLUNGER       |
| 3.3 - TRIGGER SPRING           | 6.8 - MAGAZINE CATCH SPRING        |
| 3.5 - TRIGGER BAR              | 6.9 - MAGAZINE WELL                |
| 3.6 - TRIGGER BAR PIN          | 6.10 - MAGAZINE WELL SCREW         |
| 3.7 - TRIGGER BAR SPRING       | 8.1 - RECOIL SPRING GUIDE          |
| 3.8 - TRIGGER BAR GUIDE        | 8.3 - RECOIL SPRING                |
| 3.9 - TRIGGER BAR PLUNGER      | 8.4 - BUSHING                      |
| 3.10 - TRIGGER BAR PLUNGER PIN | 9.1 - SEAR                         |
| 4.1 - HAMMER                   | 9.2 - SEAR PIN                     |
| 4.2 - HAMMER PIN               | 9.3 - SEAR SPRING                  |
| 4.3 - HAMMER SPRING            | 10.1 - FRONT SIGHT                 |
| 4.4 - HAMMER STRUT             | 10.2 - FRONT SIGHT SCREW           |
| 4.5 - HAMMER STRUT PIN         | 10.3 - ADJUSTABLE REAR SIGHT       |
| 4.6 - HAMMER PIN PIN           | 10.4 - ADJUSTABLE REAR SIGHT SCREW |
| 5.1 - FIRING PIN               | 11.1 - EXTRACTOR                   |
|                                | 11.2 - EXTRACTOR PIN               |
|                                | 11.3 - EXTRACTOR SPRING            |
|                                | 13.1 - SEAR HOUSING                |
|                                | 14.1 - SAFETY                      |
|                                | 18.1 - SLIDE STOP PIN              |
|                                | 18.3 - SLIDE STOP PIN SPRING       |
|                                | 18.4 - SLIDE STOP PIN SPRING PIN   |
|                                | A - FRAME                          |
|                                | B - SLIDE                          |